



Higher-productivity workspace

Built to house the Fiery® NX Pro or NX Premium servers, the Fiery NX Station GL provides a centralised workstation that adapts to different print production environments.

Sleek, modern design

The innovative industrial design provides a cutting-edge work environment for Fiery users who need a highly efficient workspace. The NX Station GL optimises space usage and helps keep items needed for daily production within easy reach.

Fits your needs and your floor space

A compact design reduces the footprint by over 20%, while the table offers a large work area to perform activities such as calibration and profiling. A top tray stores commonly used items close at hand, such as the ES-2000 spectrophotometer. A rear compartment keeps the ES-2000 measurement ruler and backing board or key documents nearby. The wireless mouse and keyboard save space and make the work area more flexible.

Five USB ports are easy to access, with three on the side of the display, and two conveniently located by the work surface.

Quick and easy to install and maintain

The NX server glides out on a sliding shelf for easy installation and service access.



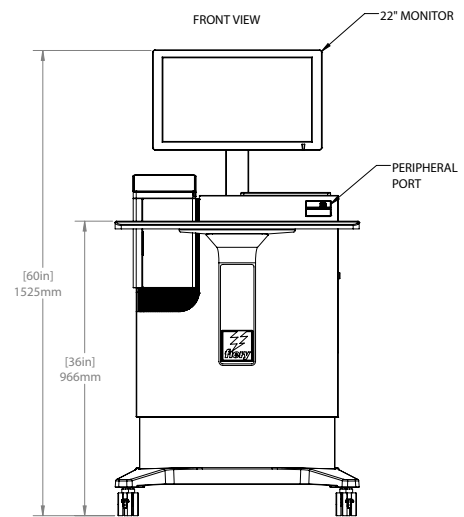
Fiery Ticker shows at-a-glance printing status and alerts to operators.

Fiery QuickTouch for fast job and device management

The NX server includes the Fiery QuickTouch™ software on the touchscreen display, which gives faster views of job status information and access to server management. With just a tap, the display gives operators easy access to intuitive system installation, backup and restore functionality, plus system diagnostics.

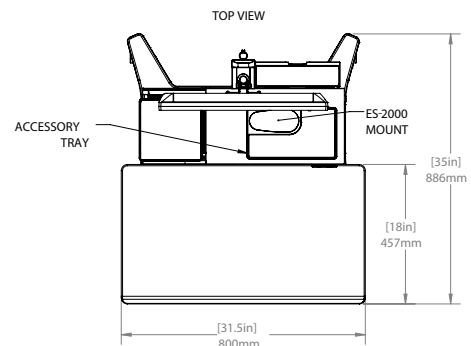


NX Station GL dimensions



NX Station GL specs

- Shipping weight (without server): 52.4 kg approx.
- Standalone weight (without server or packaging): 41.9 kg
- Display
 - 55.9 cm, resolution 1680 x 1050
 - Power consumption: 100-240V, 50/60Hz, 1.2A
- Wireless keyboard and mouse
 - One wireless USB adaptor operates both keyboard and mouse
 - Wireless keyboard requires one AAA battery (included)
 - Wireless mouse requires one AA battery (included)
- NX Station has 2 USB 3.0 ports. Additional USB ports are available on the Fiery NX server.
- Safety certifications
 - Tested in conjunction with Fiery server for mechanical stability
 - Has CE mark as described in CB scheme report
- Power cable
 - International power cable included with the Fiery server: 1.83 m long
- Four total casters; front two are lockable



EFI fuels success.

We develop breakthrough technologies for the manufacturing of signage, packaging, textiles, ceramic tiles, and personalised documents, with a wide range of printers, inks, digital front ends, and a comprehensive business and production workflow suite that transforms and streamlines the entire production process, increasing your competitiveness and boosting productivity. Visit www.efi.com or call 0808 101 3484 (UK only) or +44 (0)1246 298000 for more information.



Nothing herein should be construed as a warranty in addition to the express warranty statement provided with EFI products and services.

The APPS logo, AutoCal, Auto-Count, Balance, BESTColor, BioVu, BioWare, ColorPASS, Colorproof, ColorWise, Command WorkStation, CopyNet, Cretachrom, Cretaprint, the Cretaprint logo, Cretaprinter, Cretaroller, Digital StoreFront, DirectSmile, DocBuilder, DocBuilder Pro, DockNet, DocStream, DSFdesign Studio, Dynamic Wedge, EDOX, EFI, the EFI logo, Electronics For Imaging, Entrac, EPCount, EPPPhoto, EPRegister, EPStatus, Estimate, ExpressPay, FabriVU, Fast-4, Fiery, the Fiery logo, Fiery Driven, the Fiery Driven logo, Fiery JobFlow, Fiery JobMaster, Fiery Link, Fiery Navigator, Fiery Prints, the Fiery Prints logo, Fiery Spark, FreeForm, Hagen, InkIntensity, Inkware, Jetrion, the Jetrion logo, LapNet, Logic, Metrix, MicroPress, MiniNet, Monarch, OneFlow, Pace, Pecas, Pecas Vision, PhotoXposure, PressVu, Printcafe, PrinterSite, PrintFlow, PrintMe, the PrintMe logo, PrintSmith, PrintSmith Site, PrintStream, Print to Win, Prograph, PSI, PSI Flexo, Radius, Remoteproof, RIPchips, RIP-While-Print, Screenproof, SendMe, Sincolor, Splash, Spot-On, TrackNet, UltraPress, UltraTex, UltraVu, UV Series 50, VisualCal, VUTEk, the VUTEk logo, and WebTools are trademarks of Electronics For Imaging, Inc. and/or its wholly owned subsidiaries in the U.S. and/or certain other countries.

All other terms and product names may be trademarks or registered trademarks of their respective owners, and are hereby acknowledged.